

PHILIPS-SERVICE

835 A

200-600 m
800-2000 m

2161

103-253 V

44 W



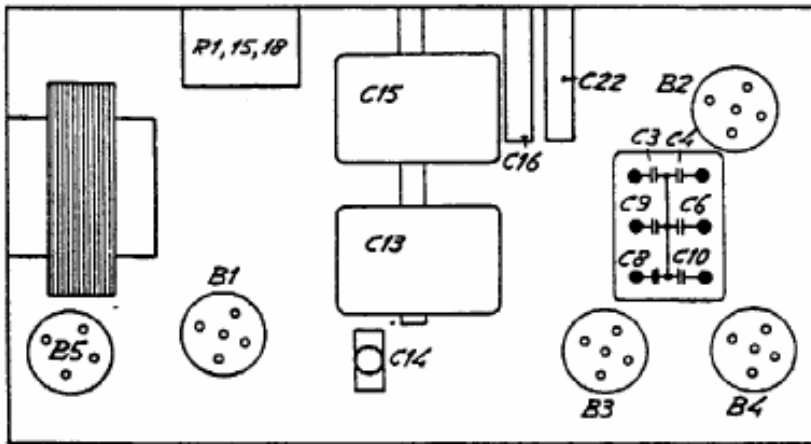
R.159*

~ VOL

1934

	200-600 m III	200-600 m V	800-2000 m III
VOL	max.	max.	max.
	225 m-200 pF- γ	225 m-200 pF- γ	C13, C15 \odot 1000 m
	C13, C15 \odot 225 m	C13, C15 \odot 225 m	1000 m-200 pF- γ
	C16 max.	\uparrow \odot 225 m	C22 max.

R1	1200 Ω	—	C1	25 μ F	48 31209/25
R2	39000 Ω	48 427 10/39K	C2	25 μ F	48 31209/25
R3	68000 Ω	48 427 10/68K	C3	1 μ F	
R5	27000 Ω	48 427 10/27K	C4	0,25 μ F	
R6	0,1 M Ω	48 426 10/100K	C5	0,25 μ F	25 115 30.1
R7	0,39 M Ω	48 426 10/390K	C6	0,25 μ F	
R8	2,2 M Ω	48 426 10/2M2	C7	0,1 μ F	
R9	0,68 M Ω	48 426 10/680K	C8	0,5 μ F	
R10	680 Ω	48 427 10/600E	C9	0,1 μ F	48 751 10/100K
R11	18000 Ω	48 427 10/18K	C10	0,1 μ F	48 751 10/100K
R12	0,33 M Ω	48 427 10/330K	C11	100 pF	48 429 10/100E
R13	2,2 M Ω	48 426 10/2M2	C12	20 pF	48 429 10/20E
R14	0,33 M Ω	48 426 10/330K	C13	430 pF	25 828 05.0*
R15	390 Ω	48 427 10/390E	C15	430 pF	
R17	60000 Ω	48 426 10/68K	C14	30 pF	28 212 36.4
R18	330 Ω	48 427 10/330E	C16	30 pF	28 212 36.4
R19	0,68 M Ω	48 426 10/680K	C17	640 pF	48 429 10/640E
			C18	250 pF	48 429 10/250E
			C19	2200 pF	48 752 10/2K2
			C20	50 pF	48 429 10/50E
			C21	4700 pF	48 751 10/4K7
			C22	27 pF	28 212 36.4



	B1	B2	B3	B4	B5	
	E 455	E 452	E 499	C 453	1823	
V _a	225	225	160	215	—	V
V _{g2}	80	115	—	225	—	V
I _a	1,9	2,8	0,12	20	—	mA

S1, S2, S3, S4
S5, S6, S7
S8, S9, S10, S11, S12
S13, S14
S15, S16
S17
S18

—
25 960 10.0*
25 960 11.0*
25 728 26.1*
25 647 99.0
—
25 960 70.0*

9.